



Ganzglas

Cabrilant AG • Kalchbühlstrasse 18 • CH-7007 Chur
Tel. +41 81 258 32 42 • Fax +41 81 258 32 43
info@cabrilant.com

www.cabrilant.com

Top pivot plate

2

46/10.ar

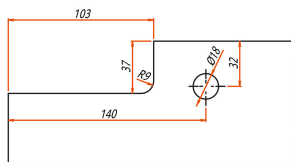
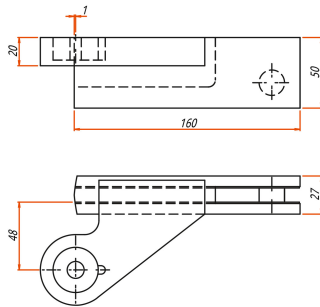
Art. Nr. 200.10/20



200.10.100 pivot transferee, DIN left

200.20.100 pivot transferee, DIN right

Top pivot plate pivot transferee, DIN left



glass outbreak

Standard finish: Anodised aluminium, mill finish for glass thickness 10 mm.
Special colours available on request.